

# AQUA NOVA FOUNTAIN NOZZLE SET

- PL** INSTRUKCJA MONTAŻU
- ENG** INSTALLATION MANUAL
- DE** MONTAGEANLEITUNG
- FR** INSTRUCTIONS DE MONTAGE
- ESP** INSTRUCCIONES DE MONTAJE
- RUS** ИНСТРУКЦИЯ ПО МОНТАЖУ
- ITL** ISTRUZIONI DI MONTAGGIO
- CZ** NÁVOD K MONTÁŽI
- SK** NÁVOD NA MONTÁŽ
- LT** MONTAVIMO INSTRUKCIJA
- LV** MONTĀŽAS INSTRUKCIJA
- EE** PAIGALDUSJUHEND

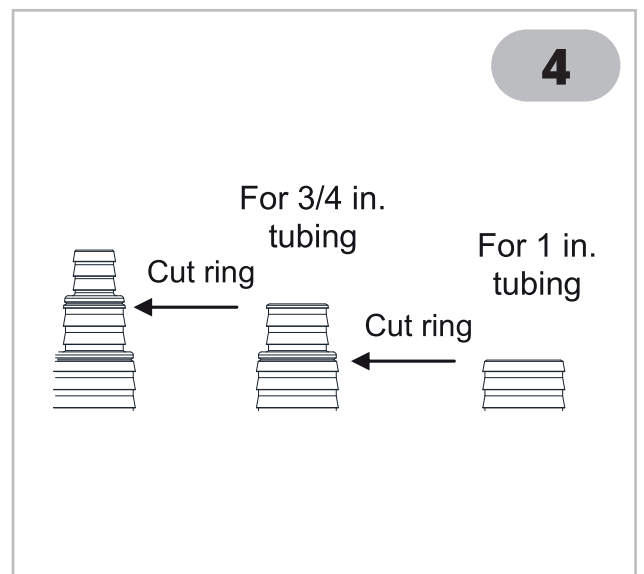
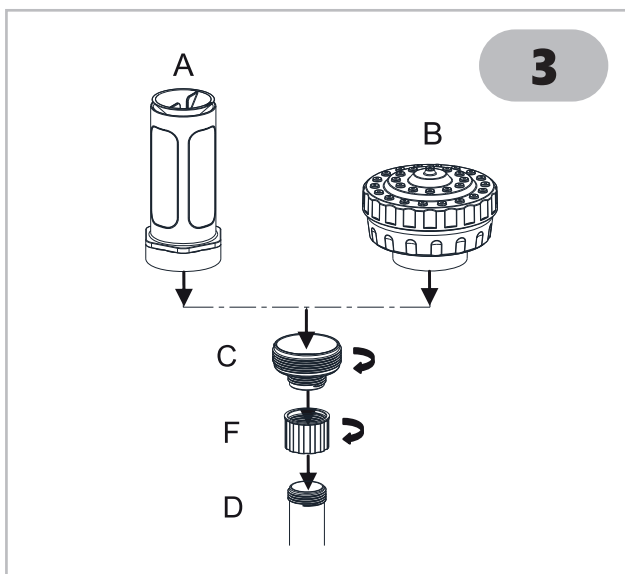
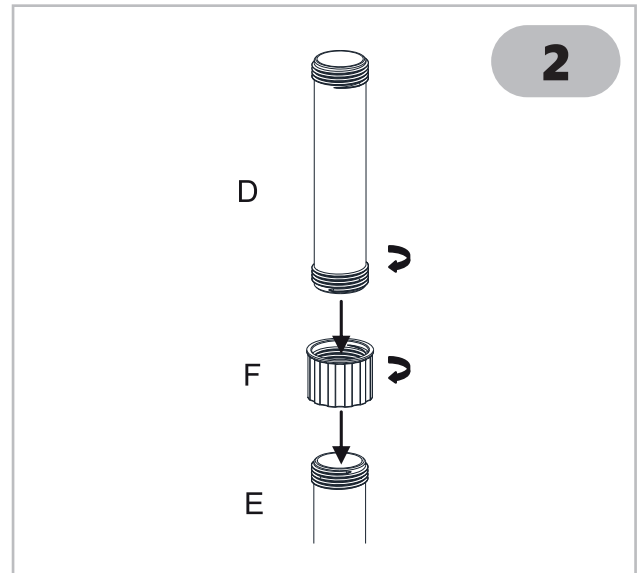
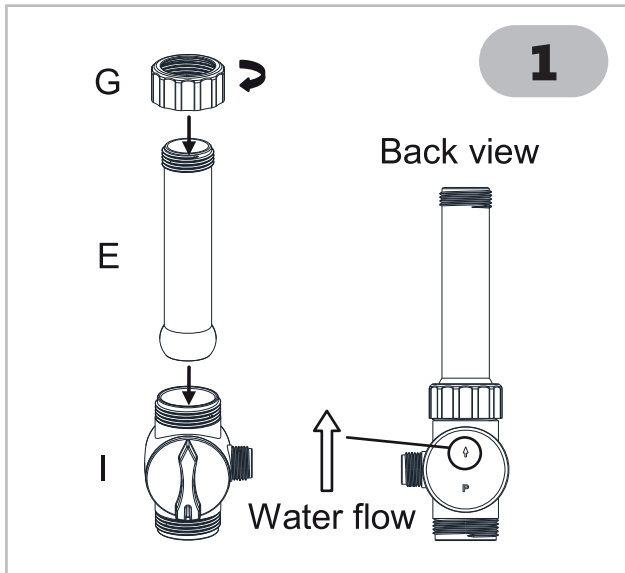
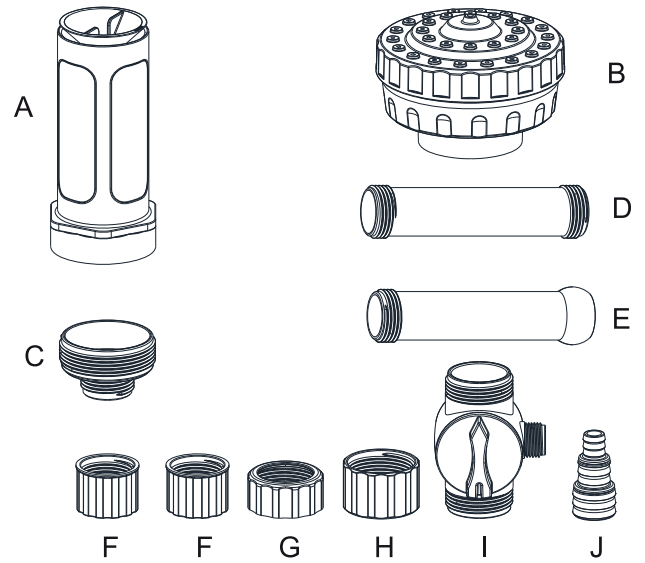


[www.aqua-nova.pl](http://www.aqua-nova.pl)

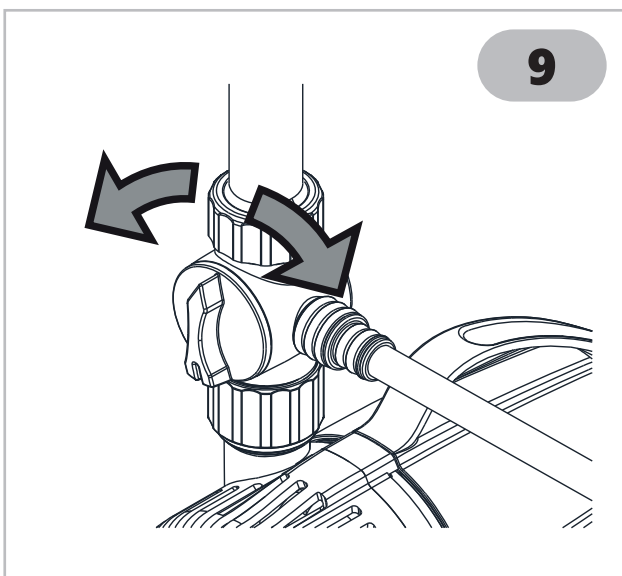
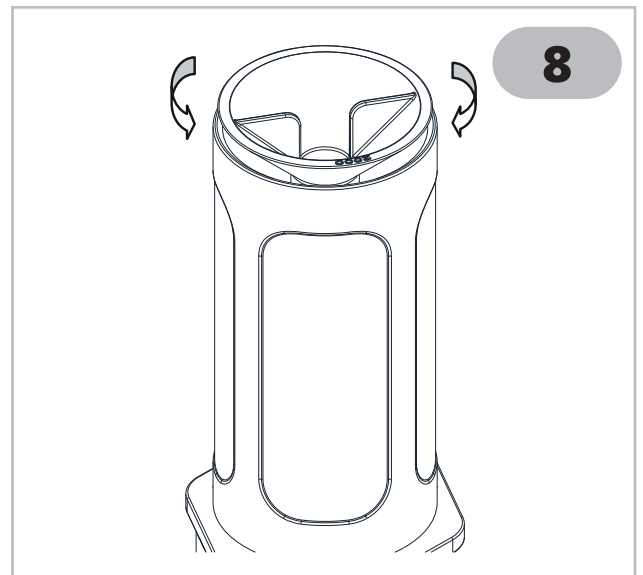
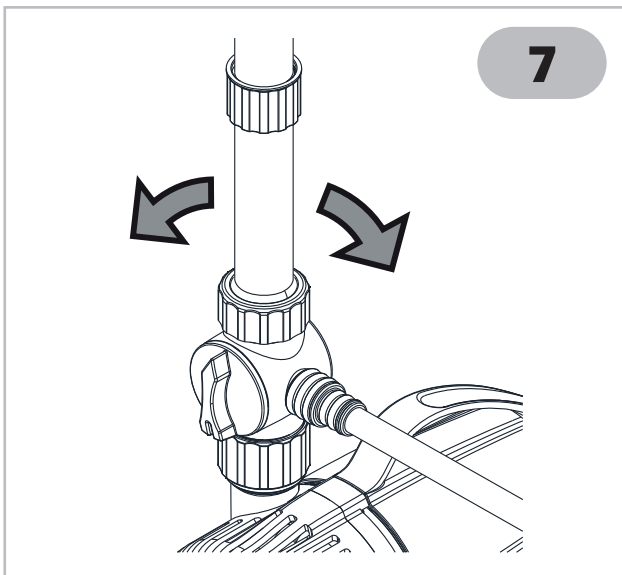
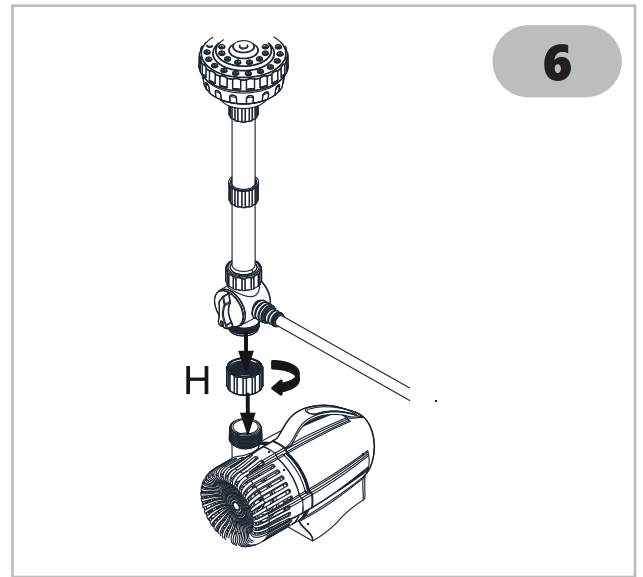
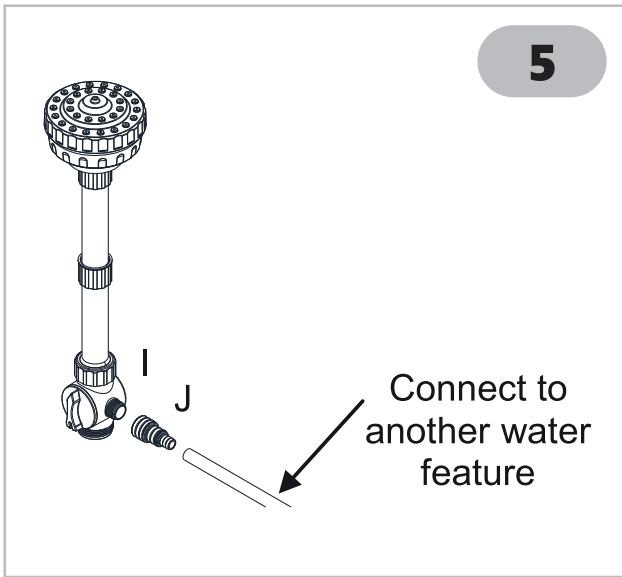
**EURONOVA POLSKA Sp. z o.o.**  
POLAND, 87-300 Brodnica, Sikorskiego 66C

## AQUA NOVA FOUNTAIN NOZZLE SET

Part	Description	Quantity
A	Trumpet	1
B	3-tier	1
C	Adaptor	1
D	Nozzle extension tube	1
E	Swivel extension tube	1
F	Connector	2
G	Nut	1
H	Adaptor for G 1-1/4"	1
I	Diverter valve	1
J	Stepped adaptor	1



## AQUA NOVA FOUNTAIN NOZZLE SET



### Care and maintenance

1. Periodically disassemble the fountain head kit and clean the parts.
2. Use a cloth or soft brush with warm, soapy water. Be sure to use biodegradable soap.

