

AQUA NOVA FOUNTAIN NOZZLE SET

PL INSTRUKCJA OBSŁUGI

GB INSTRUCTION MANUAL

DE BEDIENUNGSANLEITUNG

FR MODE D'EMPLOI

ESP INSTRUCCIONES DE USO

RUS ИНСТРУКЦИЯ ПО ЭКСПЛУАТАЦИИ

ITL ISTRUZIONI PER L'USO

CZ NÁVOD

SLO NÁVOD

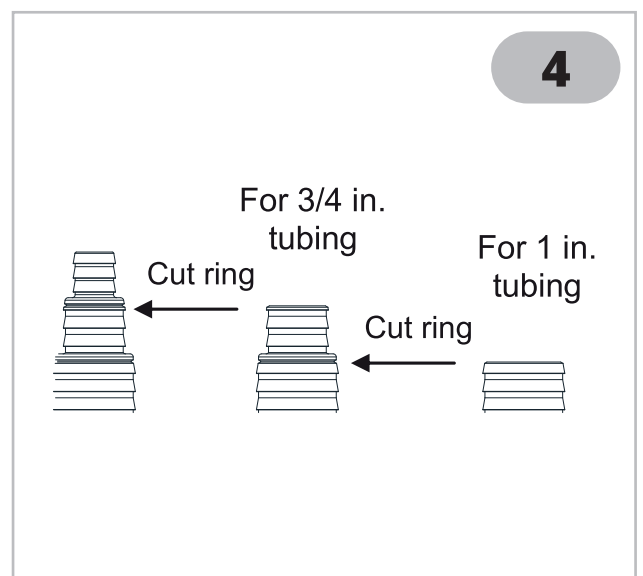
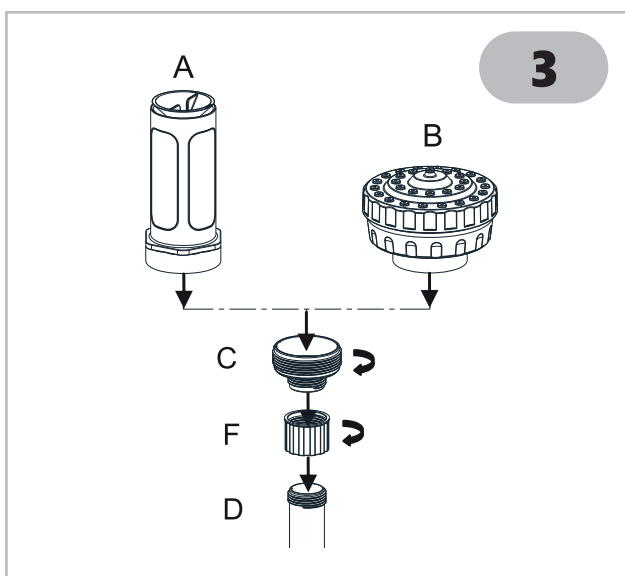
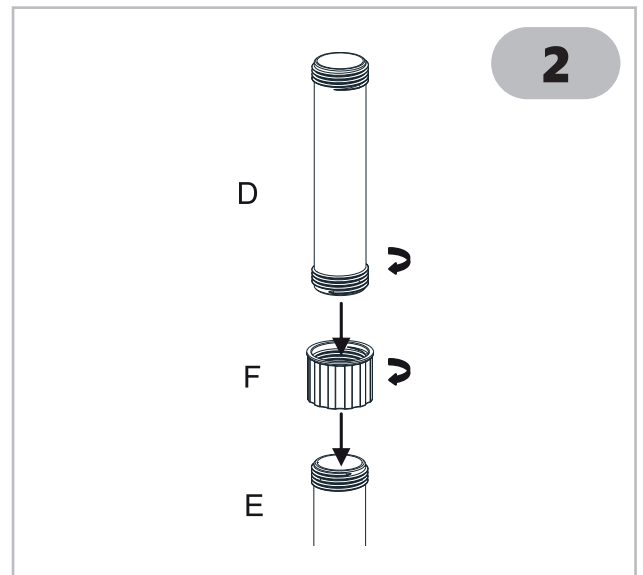
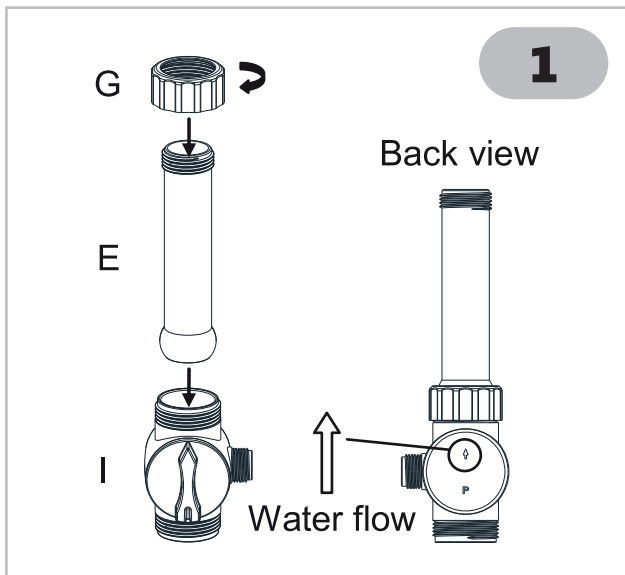
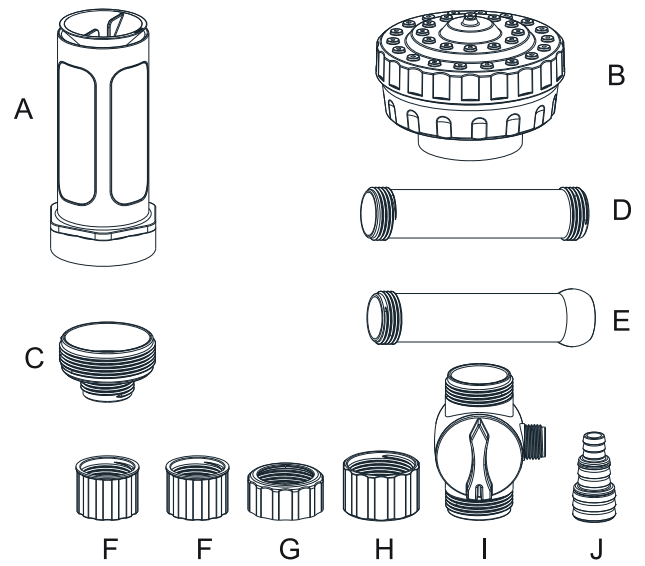


www.aqua-nova.pl

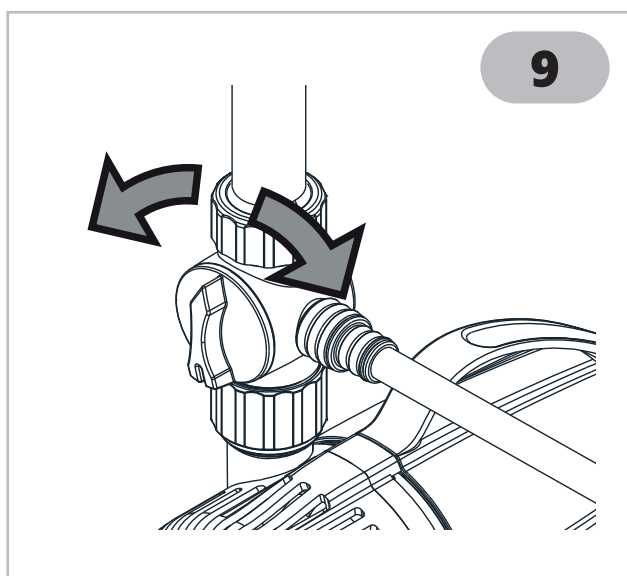
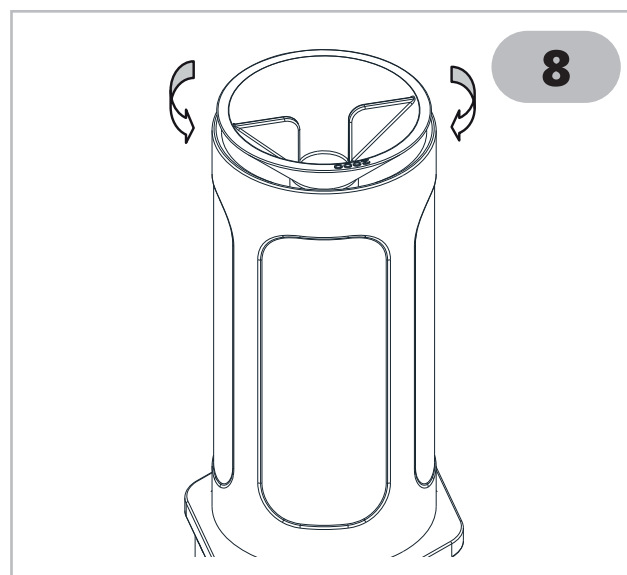
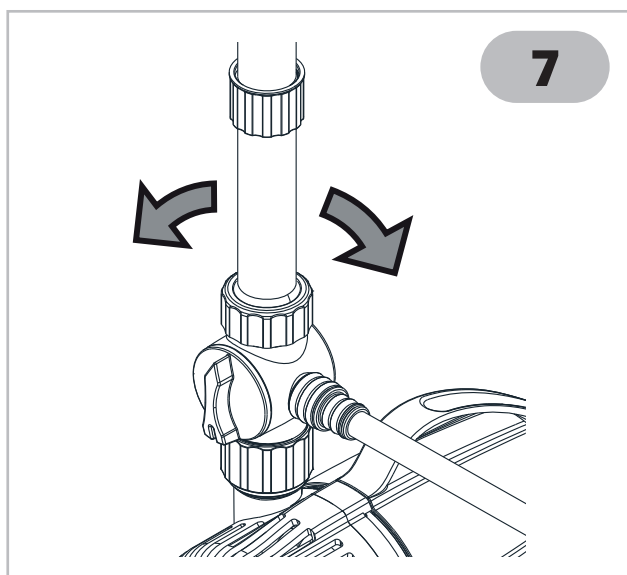
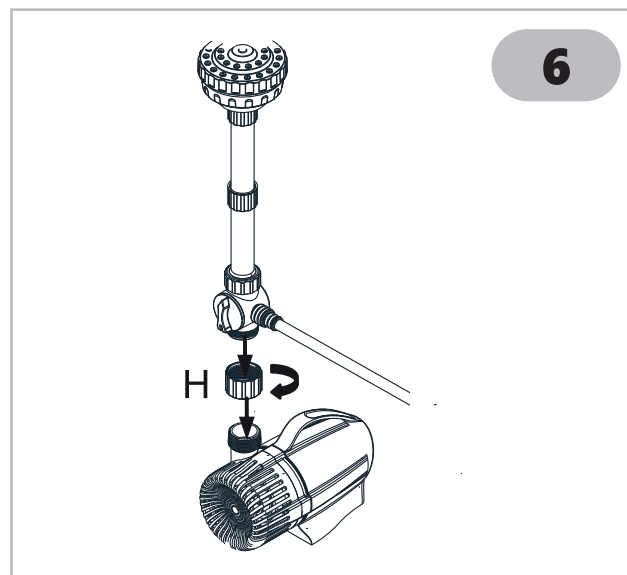
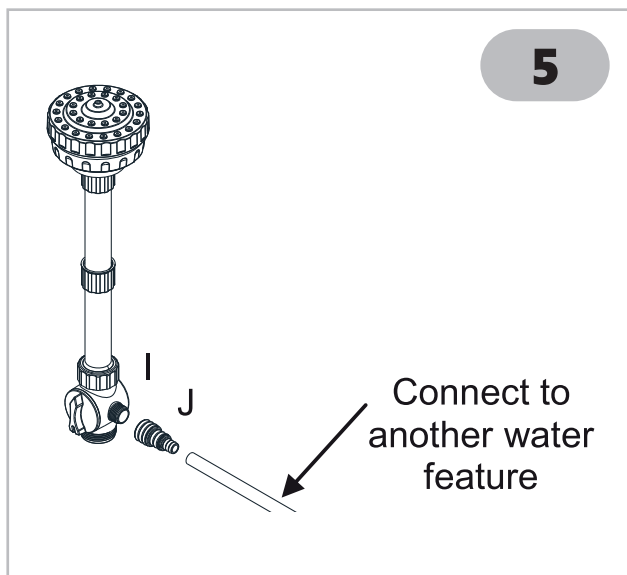
EURONOVA POLSKA Sp. z o.o.
POLAND, 87-330 Jabłonowo Pomorskie, Konojady 94B

AQUA NOVA FOUNTAIN NOZZLE SET

Part	Description	Quantity
A	Trumpet	1
B	3-tier	1
C	Adaptor	1
D	Nozzle extension tube	1
E	Swivel extension tube	1
F	Connector	2
G	Nut	1
H	Adaptor for G 1-1/4"	1
I	Diverter valve	1
J	Stepped adaptor	1



AQUA NOVA FOUNTAIN NOZZLE SET



Care and maintenance

1. Periodically disassemble the fountain head kit and clean the parts.
2. Use a cloth or soft brush with warm, soapy water. Be sure to use biodegradable soap.